



ISO MELT PLUS SERIES

Melt On Demand PUR Adhesive Melters

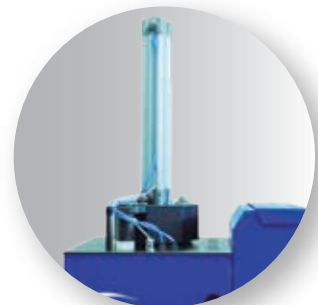
Valco Melton's IsoMelt Plus Series PUR Adhesive Melters with melt on demand technology improve production efficiency by eliminating adhesive degradation problems, while ensuring the high melting rate you need for the most demanding adhesive application processes.

Get these immediate benefits:

- No need to manipulate PUR.
- Forget unwrapping, the adhesive goes directly to the melting tank. When the cylinder presses the adhesive slug, the wrapping foil makes the tank hermetic, maintaining PUR properties without the need of using inert gas.
- PRO version features an integrated PLC and touch screen panel.



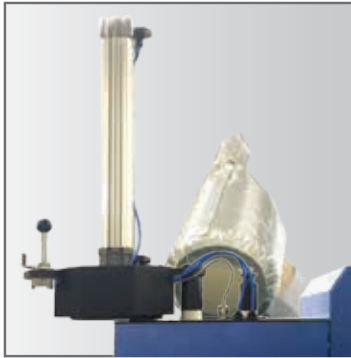
The integrated grammage control simplifies operator's programming tasks to eliminate product loss and downtime associated with incorrect coat weight adjustments.



Pneumatic cylinder for increased melting rate.



Reservoir tank eliminates production stops, even during PUR slug changes. Faster and safer maintenance and cleaning operations thanks to its tiltable tank and removable melting grid.



Ideally suited for PUR application processes:

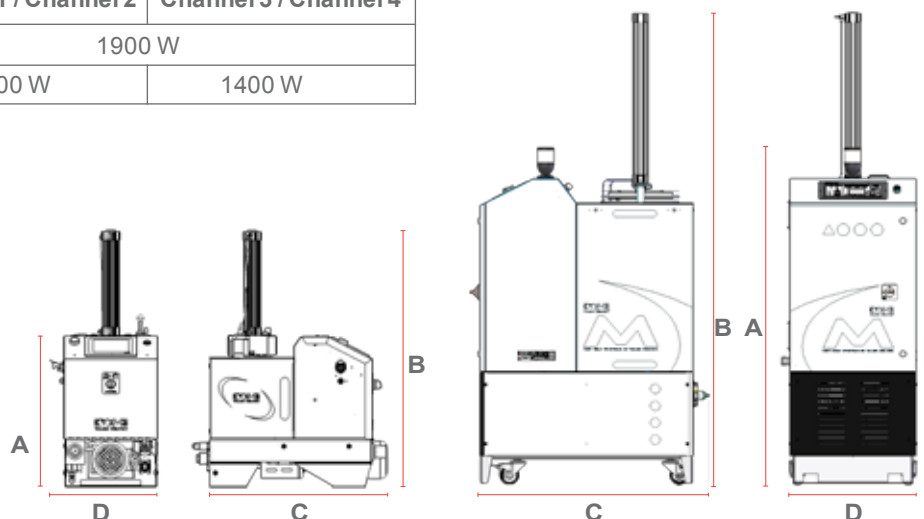
- PUR slug goes directly into the tank - no need to unwrap. This eliminates all risks of adhesive degradation.
- Total security and easier maintenance. The tank stays cold during the melting process so the PUR slug will stay solid everywhere needed except for the side in contact with the melting grate. This keeps the melted adhesive at a low level and ensures that the PUR slug will not degrade.

Technical Specifications

Unit	IsoMelt Plus Mini	IsoMelt Plus
PUR slug size	2,0 Kg	20,0 Kg
Max. Melting rate	6 Kg/h	30 Kg/h
Reservoir tank capacity	1.2 L	2 L
Max. Pumping rate per pump	48 Kg/h	48 Kg/h
Max. Number of pumps	1	2
Max. Working temperature	240° C	240° C
Max. Viscosity	90.000 cps	90.000 cps
Max. Working pressure	100 bar	100 bar
Electrical consumption	2505 W	7572 W
Tank dimensions	130 mm inner Ø x 210 mm length	290 mm inner Ø x 450 mm length
Protection	IP54	IP54

	4 output electronic board	
Max. Channel power	Channel 1 / Channel 2	Channel 3 / Channel 4
Per exit (hose and gun)	1900 W	
Per channel (hose or gun)	1800 W	1400 W

Dimensions (mm)	IsoMelt Plus Mini	IsoMelt Plus
A	499	1389
B	846	1955
C	585	951
D	355	525



For more information, visit valcomelton.com or contact your local Valco Melton representative.

World Headquarters: USA, Cincinnati, Ohio (Corporate Offices) • Tel:+1.513.874.6550 • Fax: +1.513.874.3612

Europe Headquarters: Spain, Navarra • Tel:+34.948.321.585 • Fax:+34.948.326.584

Asia Headquarters: China, Xiamen, Fujian • Tel:+86.592.591.7854 • Fax:+86.592.591.7834

inquiry@valcomelton.com • Serving over 76 Countries Worldwide • valcomelton.com